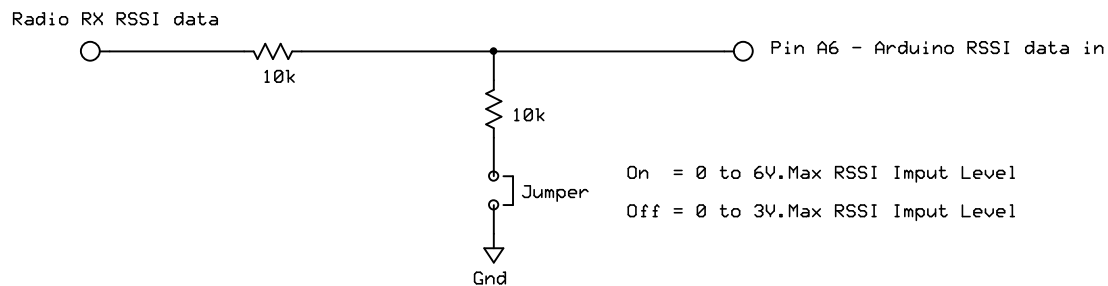
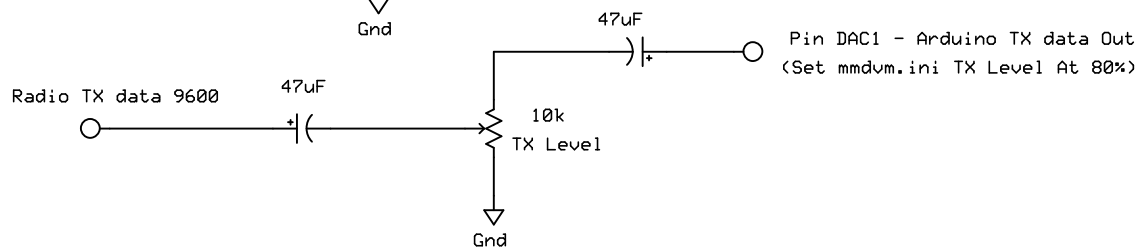
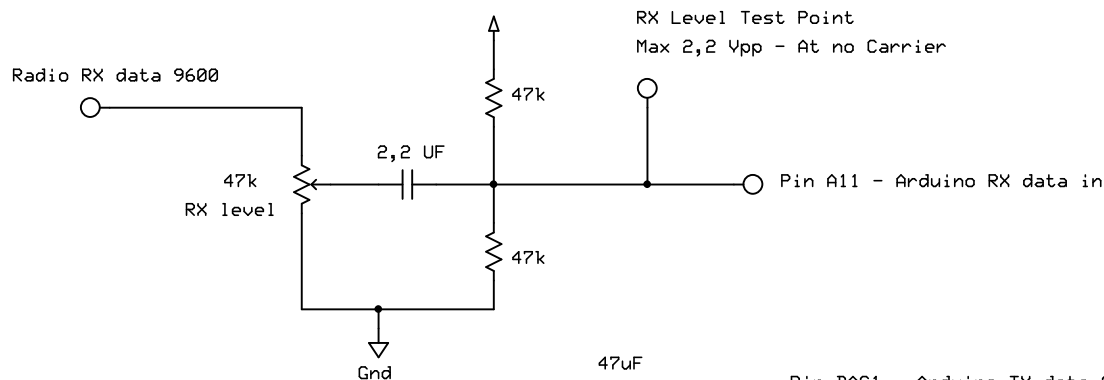
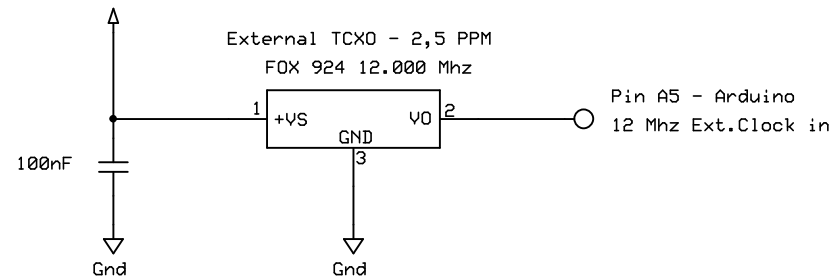


Arduino - Power + 3,3 V.

Arduino - Power + 3,3 V.



MMDVM Low-Cost Interface

ZUM Pin to Pin Compatible

By I25IGB

Rev 1.3 01/01/2017
With TCXO and RSSI

For Arduino DUE